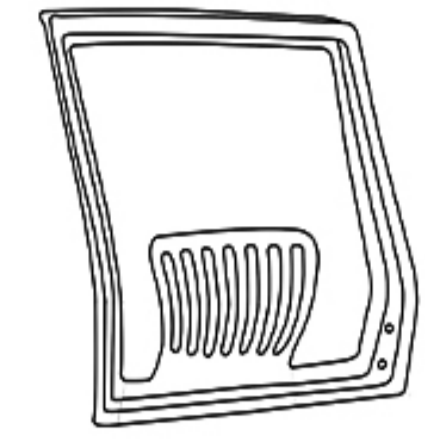
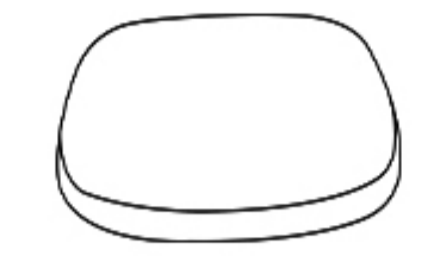


ASSEMBLY INSTRUCTIONS

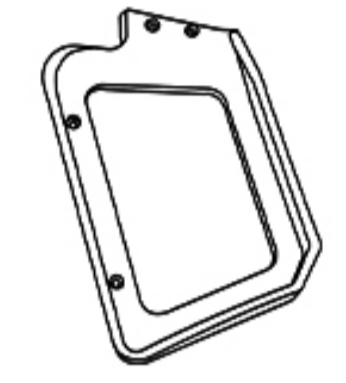
A. Backrest x 1



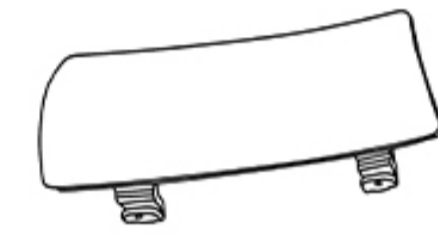
B. Seat x 1



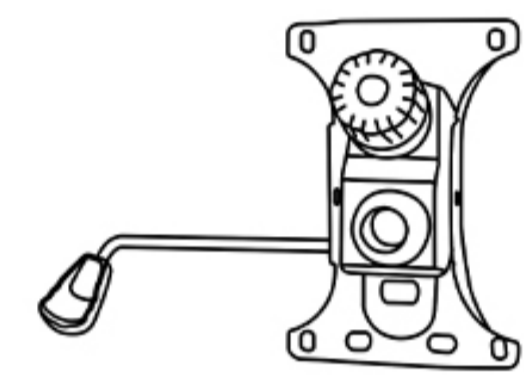
C. Armrests x 2



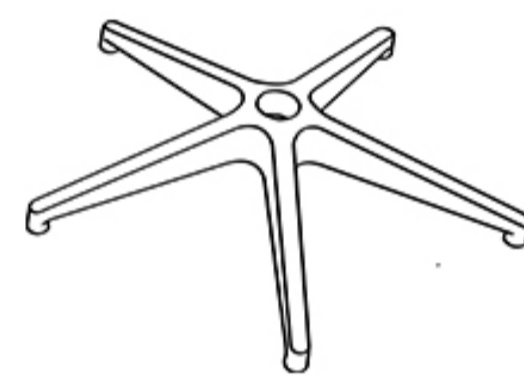
D. Headrest x 1



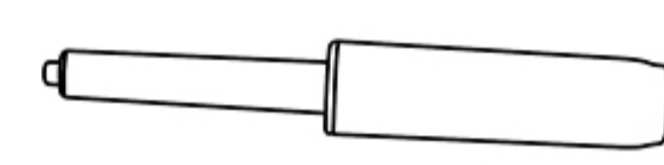
E. Salver x 1



F. Base x 1



G. Gaslift x 1



H. Wheels x 5



I. Screws x 8 (M6 x 20)



J. Screws x 4 (M6 x 25)



K. Flat washers x 4 (M8 x 17)



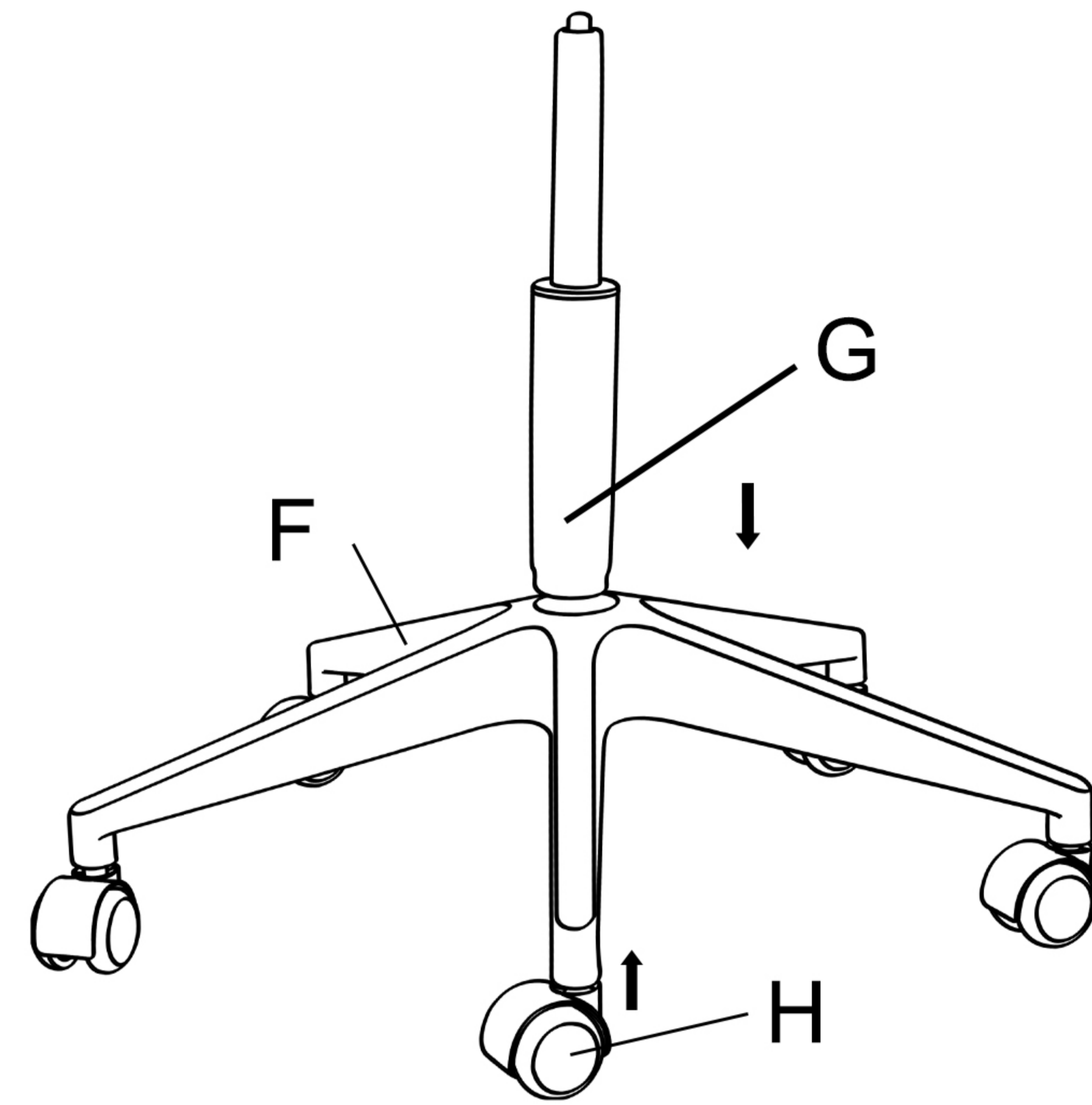
L. Screws x 2 (M4 x 16)



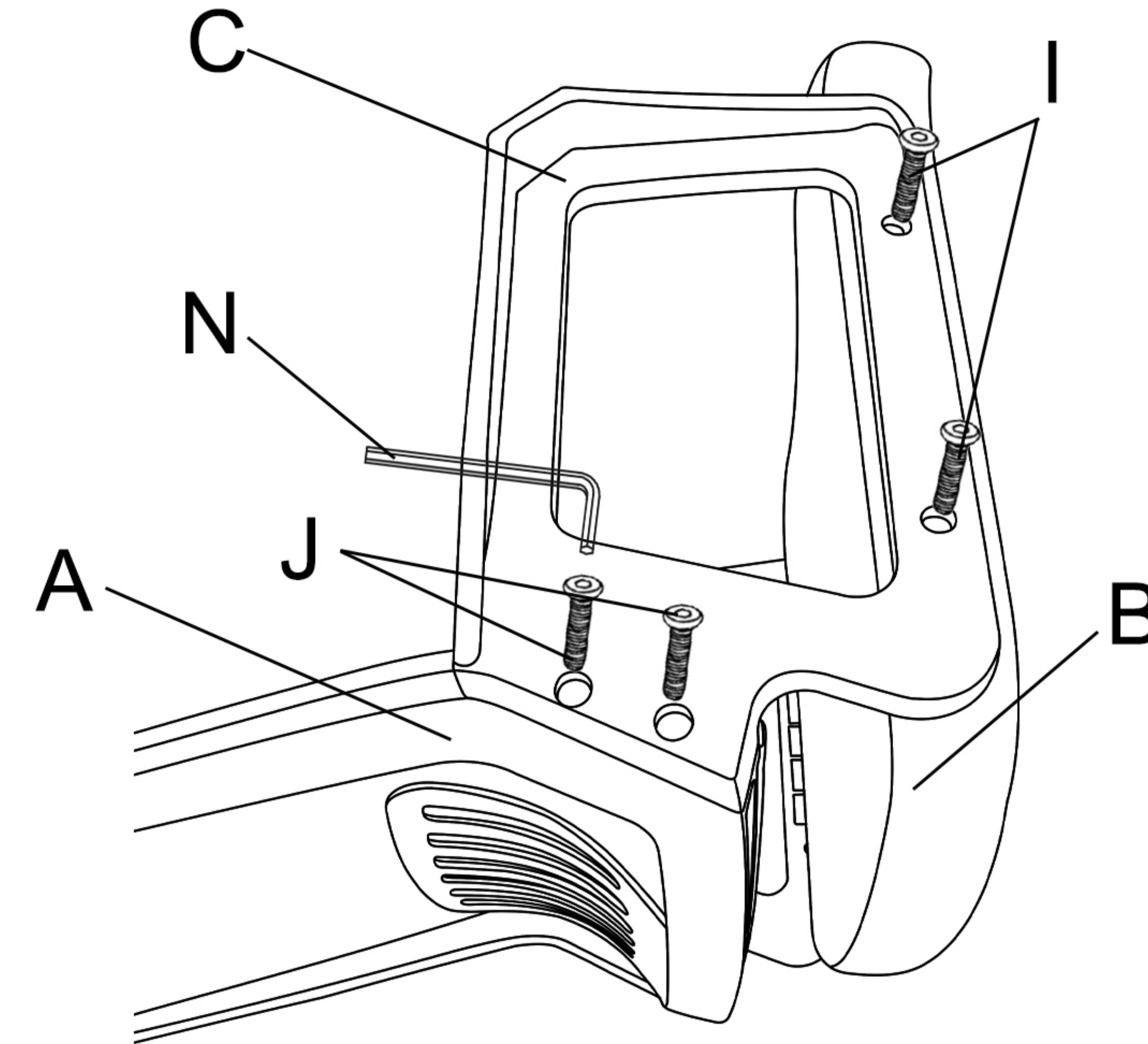
M. Covers x 8



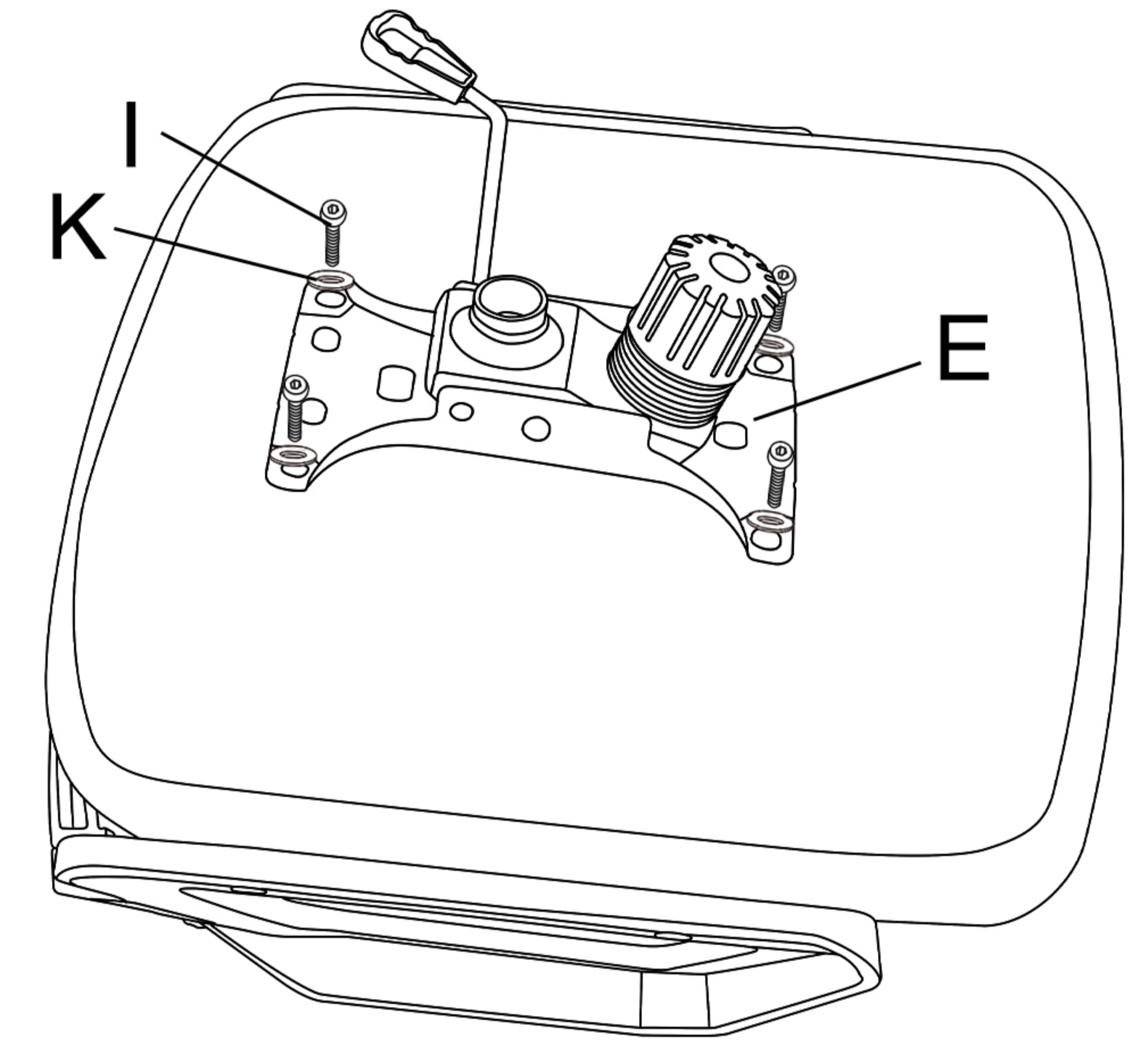
N. Hex key x 1



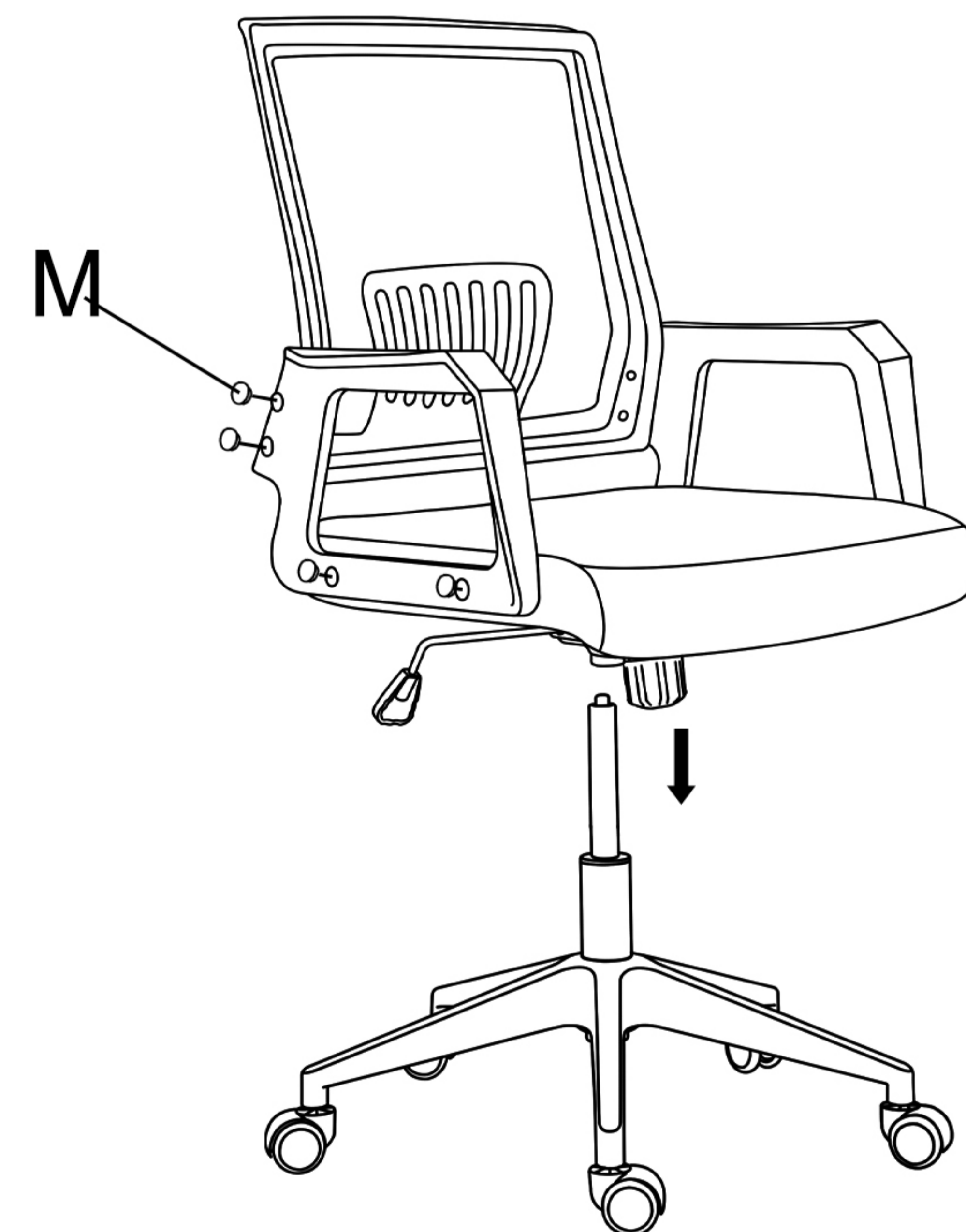
1¹



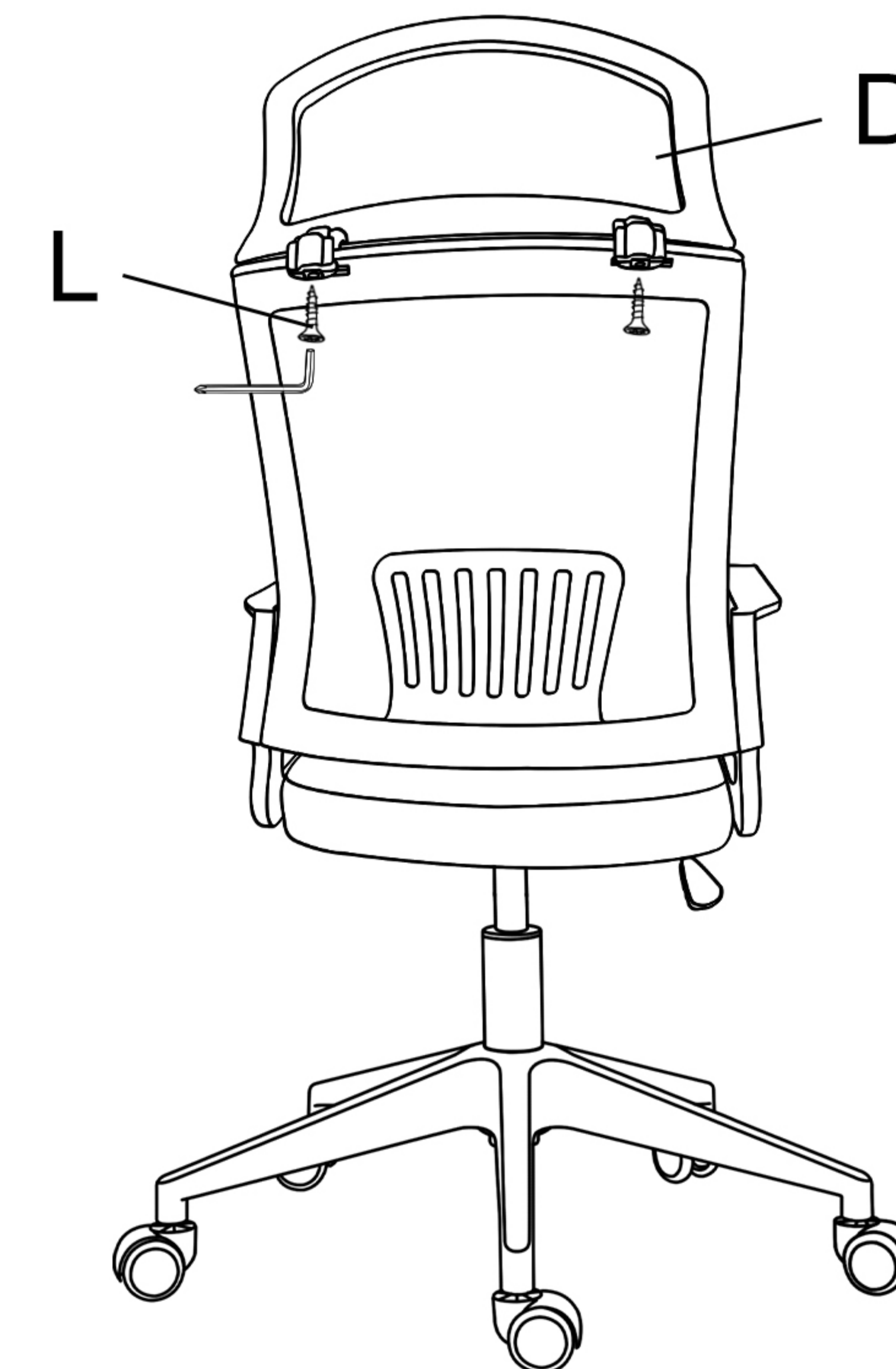
2



3



4



5



6

Remark: First fix screws lightly by hand and at the end of the assembly fasten the screws firmly with tools.